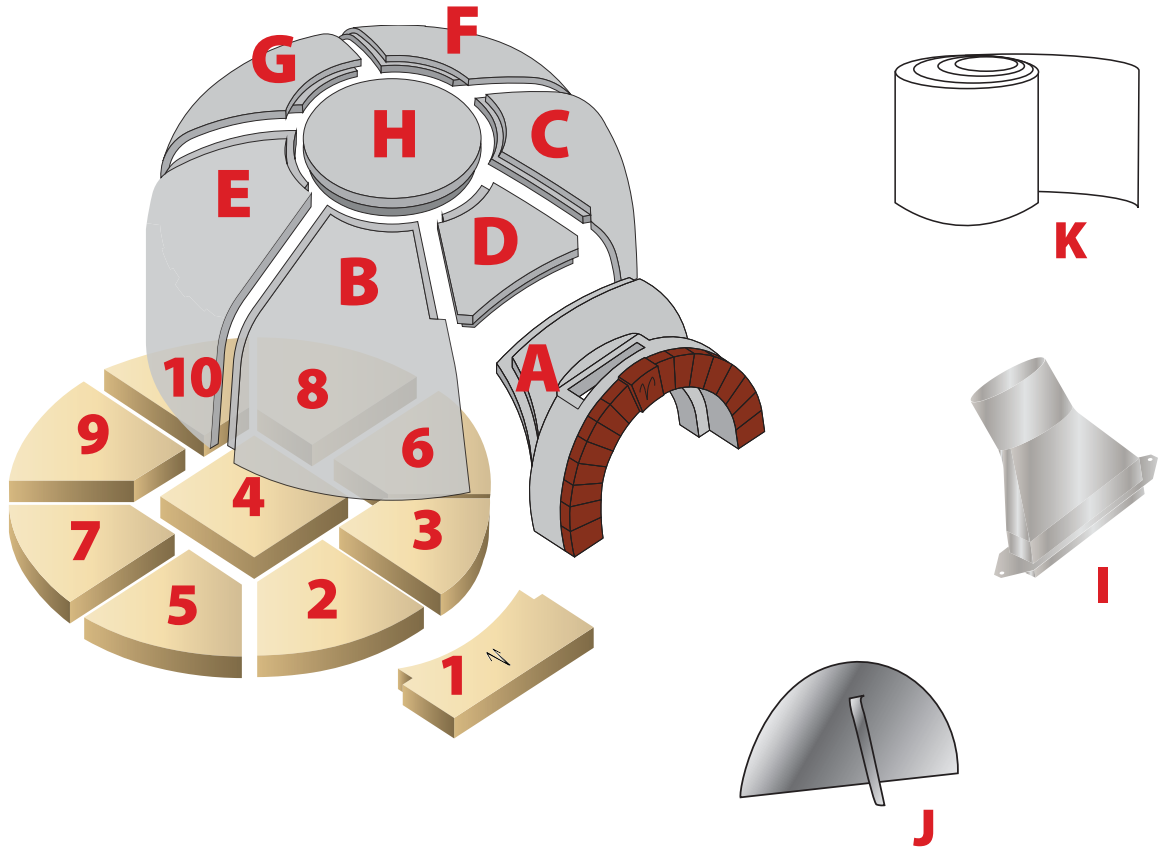


MUGNAINI

— SINCE 1989 —

W 120 COMMERCIAL PACKAGE CONTENTS



Package Contents Check List

- Oven Crown Elements (**Items A-H**)
- Metal Flue Manifold with Screws (**Item I**)
- Removable Iron Door (**Item J**)
- Thermal Insulating Blanket (**Item K**)
- Floor Elements (**Items 1-10**)

Signature: _____

Date: _____