

# MUGNAINI

— SINCE 1989 —

## Mugnaini Series

MODEL: 140 PA

### HIP ROOF ENCLOSURE

COMMERCIAL WOOD FIRED OVEN

#### CLEARANCES:

Install the oven with a minimum 1 inch clearance on sides and back to combustible construction. Consult the manual for enclosure instructions.

#### VENTING:

The oven can be vented in two methods:

1. Direct vent using 8 inch chimney pipe listed to UL 103 HT and installed per UL 737.
2. Indirect vent using a Type 1 hood system installed per UL 2162.

#### SHELF:

Stainless steel shelf bolts to oven. Shelf to be covered with non-combustible material provided by installer.

**WEIGHT:** 4300 lb.

#### UTILITIES:

No electricity or gas required.

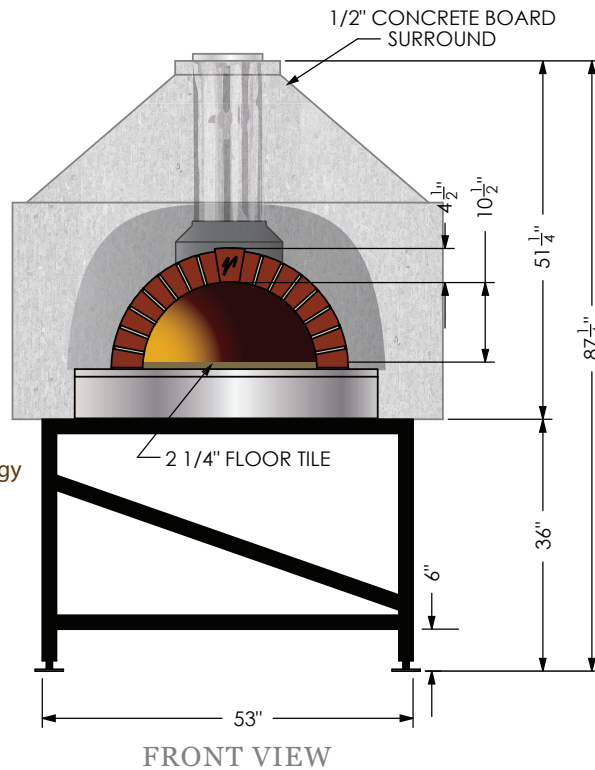
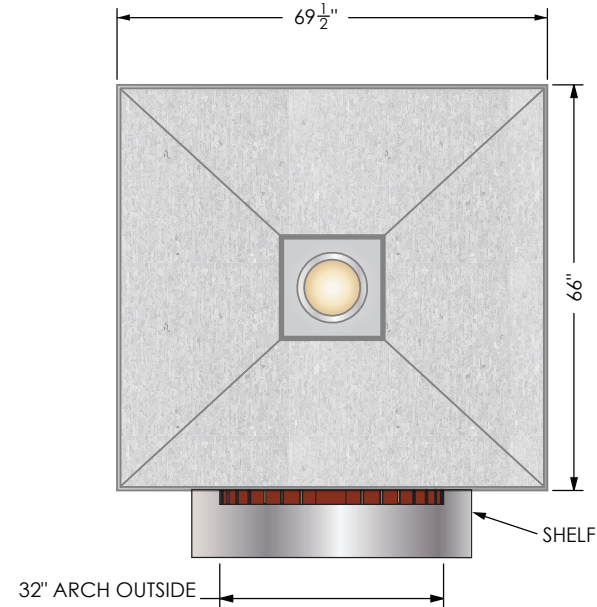
#### AIR REQUIREMENT:

150–180 CFM

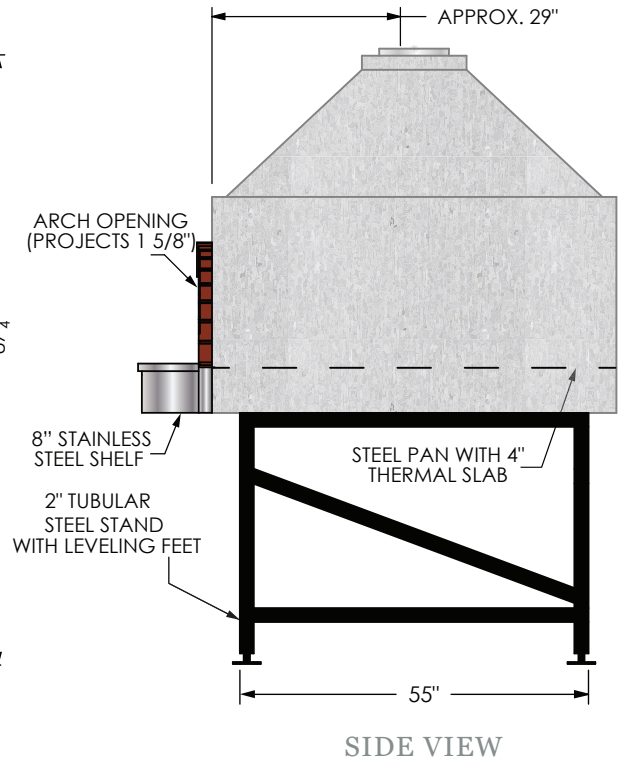
#### NOTE:

The oven should be installed in accordance with all relevant local and national codes and in a manner acceptable to the authority having jurisdiction.

Progressive changes in technology and product development may necessitate changes to specifications without notice.



FRONT VIEW



SIDE VIEW



UL 2162 and UL 737



ANSI/NSF-4

© COPYRIGHT 2012, Mugnaini Imports, Inc. May not be used without permission of copyright holder.

Mugnaini Imports, Inc. • 1530 Grove Street, Healdsburg, CA 95448  
 main: (707) 416-4106 • toll free: (888) 887-7206 • fax: (707) 857-7177  
 mugnaini.com • mugnaini@mugnaini.com